

www.newmaker.com

中华人民共和国国家标准

UDC 621.961.02

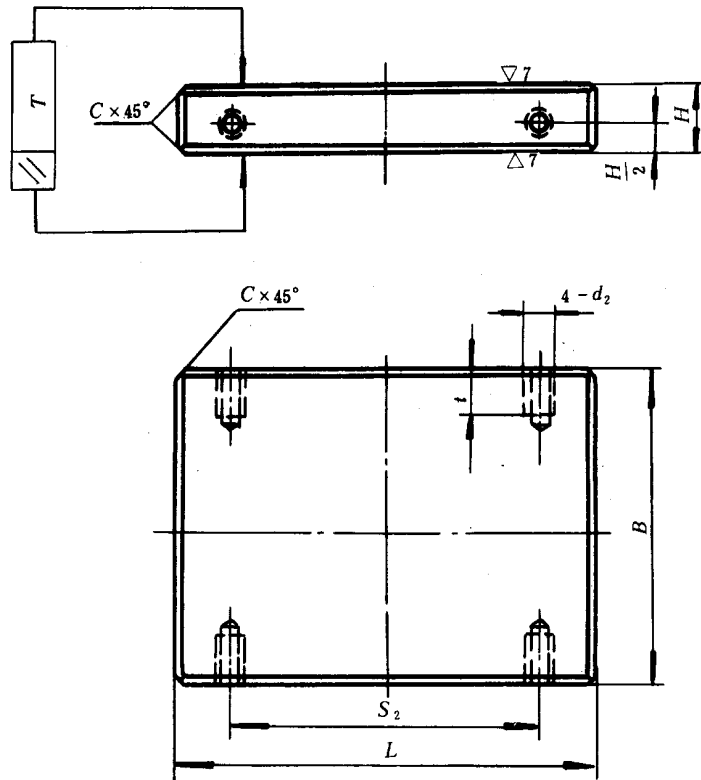
冷冲模通用模座 钢板模座

GB 2857.3—81

Universal holder for cold press dies
Holder made of steel plate for die set

本标准除用作通用上、下模座外，其部分尺寸规格还可适用于各种模架的上下模座。

其余▽4



标记示例:

长度 $L = 315 \text{ mm}$ 、宽度 $B = 250 \text{ mm}$ 、厚度 $H = 40 \text{ mm}$ 的钢板模座:

上模座 315×250×40 GB 2857.3—81

GB 2857.3-81

| mm | | | | | | | | | | | | | | | | |
|-------|-------|-----|-----|----------------|-----|----------------|-------|-----|-------|-----|----------------|---|----------------|-----|----|-----|
| L | B | H | C | d ₂ | t | S ₂ | L | B | H | C | d ₂ | t | S ₂ | | | |
| 63 | 50 | 16 | 1 | — | — | — | 250 | 160 | 30 | 1.5 | — | — | — | | | |
| 63 | 63 | 20 | | | | | 35 | | | | | | | | | |
| 80 | | | | | | | (280) | | 30 | | | | | | | |
| 100 | | | | | | | 315 | | 35 | | | | | | | |
| 80 | 80 | | | | | | 30 | | | | | | | | | |
| 100 | | | | | | | 355 | | 35 | | | | | | | |
| 125 | | | | | | | 400 | | 35 | | | | | | | |
| (140) | | | | | | | 400 | | 40 | | | | | | | |
| 160 | | | | | | | 200 | | 30 | | | | | 120 | | |
| 100 | 100 | | | | | | 25 | | 250 | | | | | M14 | 28 | 160 |
| 125 | | | | | | | | | 35 | | | | | 200 | | |
| (140) | | | | | | | | | 30 | | | | | 220 | | |
| 160 | | | | | | | | | (280) | | | | | 35 | | 240 |
| 200 | | | | | | | | | 315 | | | | | 40 | | 300 |
| 250 | | | 355 | 35 | 160 | | | | | | | | | | | |
| (280) | | 400 | 40 | 200 | | | | | | | | | | | | |
| 125 | | 125 | 30 | 400 | M16 | 32 | | 220 | | | | | | | | |
| (140) | 250 | | | 35 | | | 300 | | | | | | | | | |
| 160 | (280) | | | 40 | | | 160 | | | | | | | | | |
| 200 | 315 | | | 35 | | | 200 | | | | | | | | | |
| 250 | 400 | | | 40 | | | 220 | | | | | | | | | |
| (280) | 400 | | | 40 | | | 300 | | | | | | | | | |
| 315 | 250 | | | 35 | | | 200 | | | | | | | | | |
| (140) | 315 | | | 40 | | | 220 | | | | | | | | | |
| 160 | (140) | | | 25 | | | 400 | 2 | 40 | 300 | | | | | | |
| 200 | | | | | | | (280) | | | 40 | 200 | | | | | |
| 250 | | 315 | 50 | | 220 | | | | | | | | | | | |
| (280) | | 400 | 50 | | 300 | | | | | | | | | | | |
| 315 | | 500 | 50 | | 400 | | | | | | | | | | | |
| 355 | | 315 | 60 | | 220 | | | | | | | | | | | |
| 160 | | 160 | 30 | | 400 | M20 | 40 | | | 300 | | | | | | |
| 200 | | | | | 500 | | | | | 400 | 400 | | | | | |
| 315 | 630 | | | 500 | 500 | | | | | | | | | | | |
| 355 | 400 | | | 400 | 300 | | | | | | | | | | | |
| 160 | 160 | 30 | 500 | 60 | 40 | 400 | | | | | | | | | | |
| 200 | | | 630 | | | 500 | 500 | | | | | | | | | |
| 200 | 160 | 35 | 500 | 500 | 60 | 40 | 400 | | | | | | | | | |

注：括号内的尺寸尽可能不采用。

材料：A3 GB 700-79。

技术条件：按GB 2870-81的规定。